

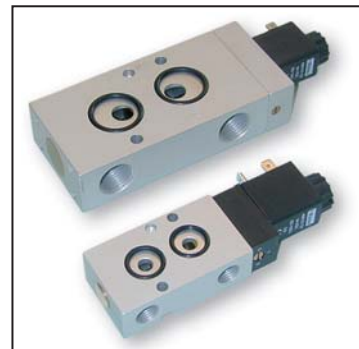


aerospace
climate control
electromechanical
filtration
fluid & gas handling
hydraulics
pneumatics
process control
sealing & shielding



High Flow NAMUR Valve G1/4" & G1/2"

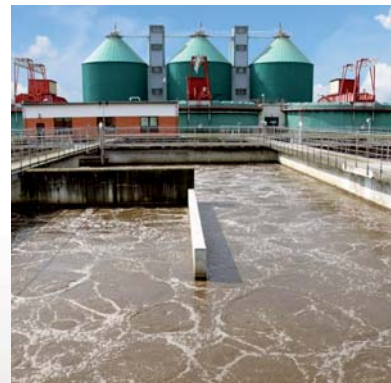
for Control of Pneumatic Actuators



ENGINEERING YOUR SUCCESS.

Market Description

Process industries
 Chemical, Petrochemical industries
 Oil & Gas
 Water & Sewage
 Pulp & Paper
 Food & Beverage
 Pharmaceutical industry
 Powder Dosing-Transportation
 Air Dryers

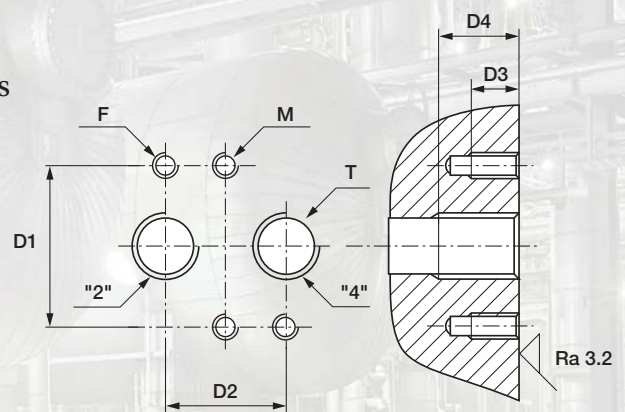


Description of Applications

Control of single or double acting pneumatic actuators, in safe or dangerous areas.

NAMUR Interfaces 1/4" & 1/2"

The interface design is conform to the NAMUR standard and to the VDI/VDE 3845 recommendations of the actuator industry. It allows a compact design of the actuator/valve unit. In case of a 3/2 function, the air of the actuator spring chamber also flows through the pilot valve (re-breather function). This prevents corrosion of the actuator springs.



F	T	D1 mm	D2 mm	D3 mm	D4 min. Mm	M mm
M5	1/4	32	24	8	12	M5
M6	1/2	45	40	10	16	M6

F: 2 mounting holes - T: 2 actuators control port - M: 2 holes for dowel pins

Customer Value Proposition

- High flow: 1.250 l/min (1/4"), 3.000 l/min (1/2")
- Compact design
- Long life expectancy
- N3x series compatible with any Parker Lucifer coil (ATEX or not) of electrical group 2 (8/9 W coils)
- Fail safe standard
- Reduced inventory (3/2 & 5/2 functions with the same valve on 341Nx5 series)
- Mechanical part of the valve ATEX certified according standard EN 13463-1 & -5



General Information

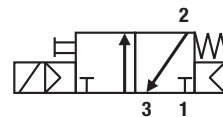
Function:	3/2 , 5/2, 3/2 <=> 5/2 and 5/3 valves.
Manual override:	Standard on all versions.
Design:	Solenoid operated spool valve with combined spring and air return & external air pressure operated versions.
Mounting:	For direct mounting on NAMUR interface 1/4" & 1/2".
Mounting position:	Indifferent.
Material specifications:	Aluminium body. Internal parts from stainless steel. Sealing material from NBR.
Range of admissible pressure drop:	Δp min. = see table. Δp max. = 10 bar.
Media:	Dry or lubricated air.
Fluid temperature:	Min. 0°C Max. + 50°C
Ambient temperature:	-10°C to +50°C
Electrical part:	N0x series are compatible with 22mm coil 496131 / 496482 / 496637 Series N3x series are compatible with 32/37/40 mm coils part of electrical group 2 (8/9W), including 481865 / 495870 / 495905 Series.
Solenoid duty:	100% ED.
Voltage:	481865 coil: 12 VDC , 24 VDC , 48 VDC , 110VDC, 24 V / 50 AC, 48 V / 50 AC, 110 V / 50 AC, 220-230V/50 AC, 115 V / 60 Hz AC, 230 V / 60 AC.
Voltage tolerance:	± 10% of nominal for 481865 coil.
Class of insulation material:	Class F for 481865 coil.
Standards:	Mechanical ATEX conform to EN 13463-1 & -5.

G1/4" Series

Solenoid Operated Versions N03-N05 Series with 22 mm Coil

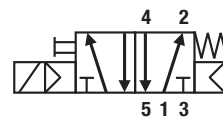
Port size	Orifice	Q _n	Admissible differential pressure (bar)		Max. admissible fluid temperature (°C)	Seat disc	Reference number			Consumption Power (Watt)		Weight (g)	Dimensions Reference	
			max.	min.			DC=	AC~	Valve	Housing	Coil			DC
G	mm	L/min	min	DC=	AC~	Air & Neutral gases		Valve	Housing	Coil	DC	AC		

3/2 Solenoid operated - Combined spring & air return (monostable)



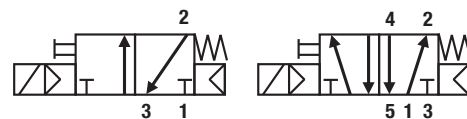
1/4	7	1250	2.5	10	10	50	NBR	331N03	-	496131	3	3	300	1
1/4	7	1250	2.5	10	10	50	NBR	331N03	-	496482	3	3	300	1
1/4	7	1250	2.5	10	10	50	NBR	331N03	-	496637	3	3	300	1

5/2 Solenoid operated - Combined spring & air return (monostable)



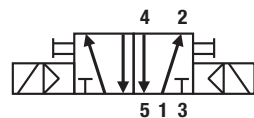
1/4	7	1250	2.5	10	10	50	NBR	341N03	-	496131	3	3	300	2
1/4	7	1250	2.5	10	10	50	NBR	341N03	-	496482	3	3	300	2
1/4	7	1250	2.5	10	10	50	NBR	341N03	-	496637	3	3	300	2

3/2 <=> 5/2 with conversion plate - Solenoid operated Combined spring & air return (monostable)



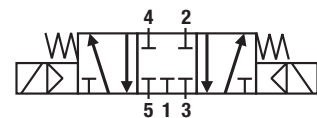
1/4	7	1250	2.5	10	10	50	NBR	341N05	-	496131	3	3	310	3
1/4	7	1250	2.5	10	10	50	NBR	341N05	-	496482	3	3	310	3
1/4	7	1250	2.5	10	10	50	NBR	341N05	-	496637	3	3	310	3

5/2 Solenoid operated and return (bistable)



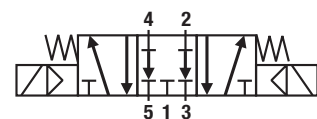
1/4	7	1250	2.5	10	10	50	NBR	347N03	-	496131	3	3	430	4
1/4	7	1250	2.5	10	10	50	NBR	347N03	-	496482	3	3	430	4
1/4	7	1250	2.5	10	10	50	NBR	347N03	-	496637	3	3	430	4

5/3 W1 closed in center position - Solenoid operated and return



1/4	7	1250	2.5	10	10	50	NBR	342N03	-	496131	3	3	430	4
1/4	7	1250	2.5	10	10	50	NBR	342N03	-	496482	3	3	430	4
1/4	7	1250	2.5	10	10	50	NBR	342N03	-	496637	3	3	430	4

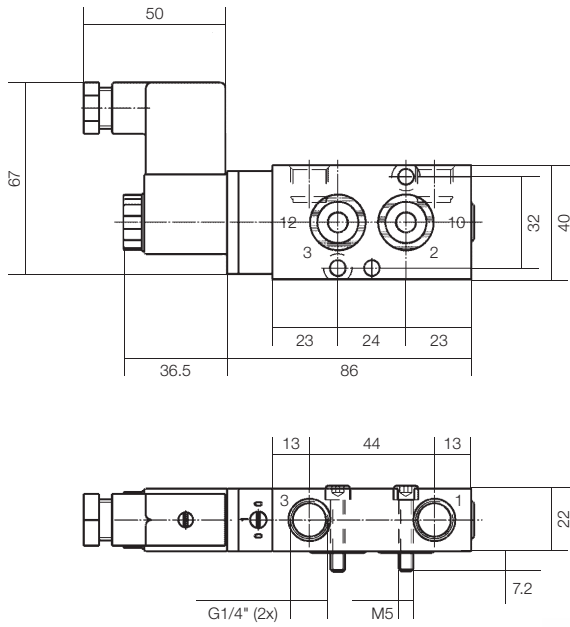
5/3 W3 exhausted in center position Solenoid operated and return (bistable)



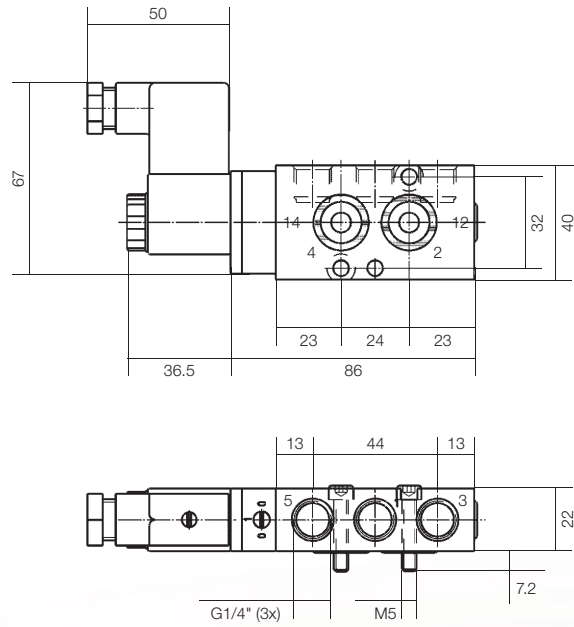
1/4	7	1250	2.5	10	10	50	NBR	343N03	-	496131	3	3	430	4
1/4	7	1250	2.5	10	10	50	NBR	343N03	-	496482	3	3	430	4
1/4	7	1250	2.5	10	10	50	NBR	343N03	-	496637	3	3	430	4

Please consult the "How to Order" part at the end of each coil chapter.

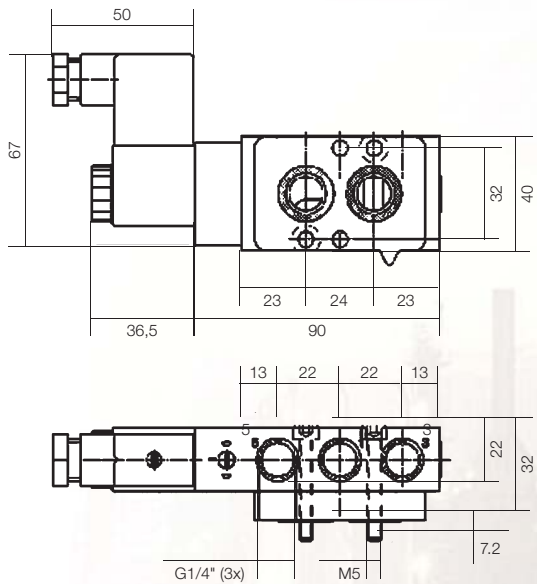
Dimensions Reference 1



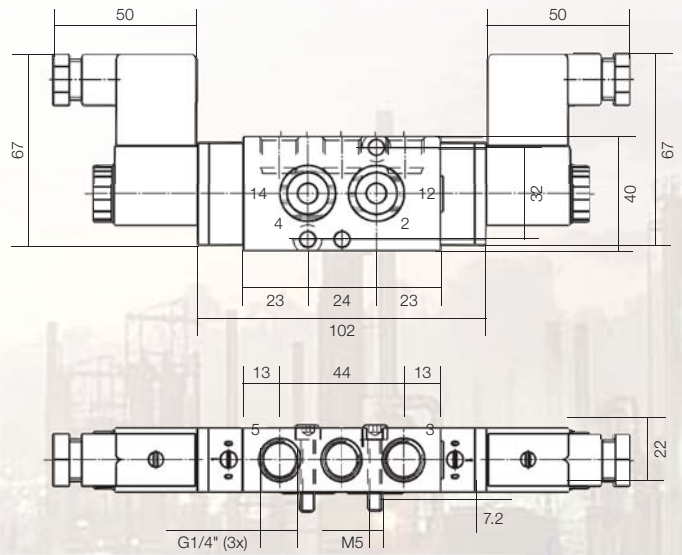
Dimensions Reference 2



Dimensions Reference 3



Dimensions Reference 4



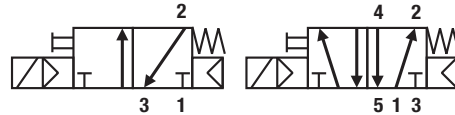
G1/4" Series

Solenoid Operated Versions

N33-N35 Series with 32 / 37 / 40 mm Coil

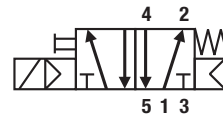
Port size	Orifice	Q _n	Admissible differential pressure (bar)		Max. admissible fluid temperature (°C)	Seat disc	Reference number			Consumption Power (Watt)		Weight (g)	Elect. Group	Dim. Ref.
			max.	min.			Valve	Housing	Coil	DC	AC			
G	mm	L/min	min	DC=	AC~	Air & Neutral gases								

3/2 <=> 5/2 with conversion plate - Solenoid operated Combined spring & air return (monostable)



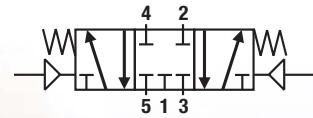
1/4	7	1250	2.5	10	10	50	NBR	341N35	2995	481865	9	8	480	2	5
1/4	7	1250	2.5	10	10	50	NBR	-	2995	495870	9	8	700	-	2
1/4	7	1250	2.5	10	10	50	NBR	-	-	495905	8	8	740	-	2

5/2 Solenoid operated and return (bistable)



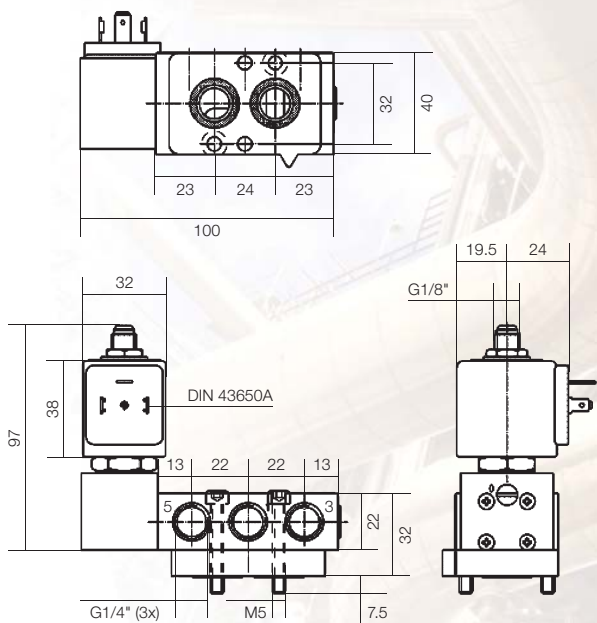
1/4	7	1250	2.5	10	10	50	NBR	347N33	2995	481865	9	8	750	2	6
1/4	7	1250	2.5	10	10	50	NBR	-	2995	495870	9	8	1190	2	-
1/4	7	1250	2.5	10	10	50	NBR	-	-	495905	8	8	1270	2	-

5/3 W1 closed in center position Solenoid operated and return (bistable)

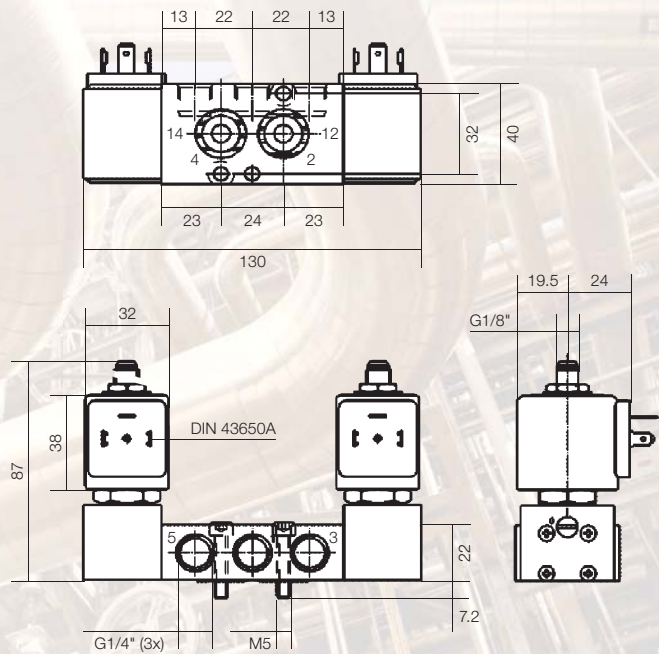


1/4	7	1250	2.5	10	10	50	NBR	342N33	2995	481865	9	8	750	2	6
1/4	7	1250	2.5	10	10	50	NBR	-	2995	495870	9	8	1190	2	-
1/4	7	1250	2.5	10	10	50	NBR	-	-	495905	8	8	1270	2	-

Dimensions Reference 5



Dimensions Reference 6



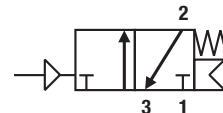
Please consult the "How to Order" part at the end of each coil chapter.

G1/4" Series

External Pressure Air Operated Series 5xx N03 Series

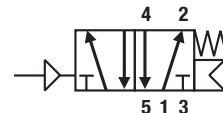
Port size	Orifice	Q _N	Admissible differential pressure (bar)		Max. admissible fluid temperature (°C)	Seat disc	Reference number			Consumption Power (Watt)		Weight (g)	Dimensions Reference
			max.	min.			Valve	Housing	Coil	DC	AC		
G	mm	L/min	min	DC=	AC~	Air & Neutral gases							

**3/2 External pressure air operated
Combined spring & air return (monostable)
External pressure supply 2.5 to 10 bar**



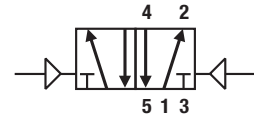
1/4	7	1250	2.5	10	10	50	NBR	531N03	-	w/o	-	-	210	7
-----	---	------	-----	----	----	----	-----	--------	---	-----	---	---	-----	---

**5/2 external pressure air operated
Combined spring & air return (monostable)
External pressure supply 2.5 to 10 bar**



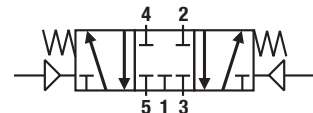
1/4	7	1250	2.5	10	10	50	NBR	541N03	-	w/o	-	-	210	8
-----	---	------	-----	----	----	----	-----	--------	---	-----	---	---	-----	---

**5/2 external pressure air operated
External pressure air return (bistable)
External pressure supply 2.5 to 10 bar**



1/4	7	1250	2.5	10	10	50	NBR	547N03	-	w/o	-	-	240	9
-----	---	------	-----	----	----	----	-----	--------	---	-----	---	---	-----	---

**5/3 W1 closed in center position - External pressure air operated
External pressure air return (bistable)
External pressure supply 2.5 to 10 bar**



1/4	7	1250	2.5	10	10	50	NBR	542N03	-	w/o	-	-	240	9
-----	---	------	-----	----	----	----	-----	--------	---	-----	---	---	-----	---

Dimensions Reference 7

Dimensions Reference 8

Dimensions Reference 9

