

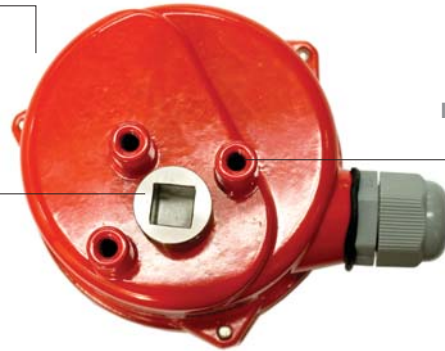


### ITQ 0020

- Suitable for small 1" ball valve automation.
- Very high efficiency & cyclic life.
- Free voltage (87~270 VAC, 1Phase) and optional 24V AC/DC
- Very compact and light weight.



PG11 Cable Gland with Wires



ISO F03 Flange

9X9mm Square Female Shaft

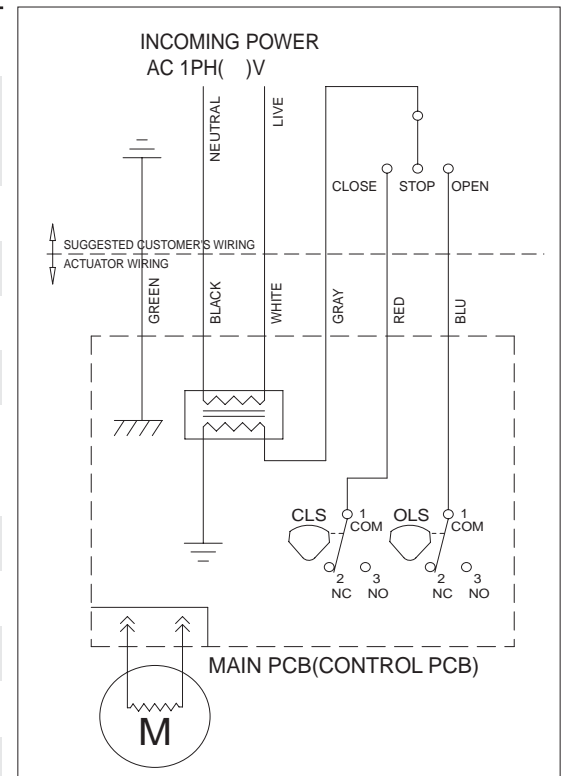
### PERFORMANCE

Model	Rate torque (Nm)	Duty cycle (%)	Operating time 50Hz /60Hz	Stem Adaption (Square Female shaft)	Rated current				Motor insulation class	Weight (kgs)
					24V		1Phase			
					AC	DC	110	220		
ITQ 0020	25	50	11	9 X 9 mm	0.60	0.55	0.16	0.08	E	1

### STANDARD SPECIFICATION

<b>Enclosure</b>	IP66, O-ring Sealed
<b>Main Power</b>	Free Voltage (110/220VAC/1Ph/50/60Hz) 24V AC/DC
<b>Duty cycle(on-off)</b>	S2 : 50%
<b>Motor</b>	DC motor
<b>Limit switches</b>	1 ea for Open & Close (5A, 250VAC)
<b>Extra Limit switches</b>	Relays for Open & Close (5A, 250VAC)
<b>Mounting</b>	ISO F03, 9 X 9 - DP12 Square female Shaft
<b>Travel angle</b>	90°C ± 5°C
<b>Cable entry &amp; Wiring</b>	1-PG11 Cable gland with wires 30cm long
<b>Surface protection</b>	Polyester coating
<b>Ambient temperature</b>	-10°C ~ + 65°C
<b>Humidity(R.H)</b>	90%

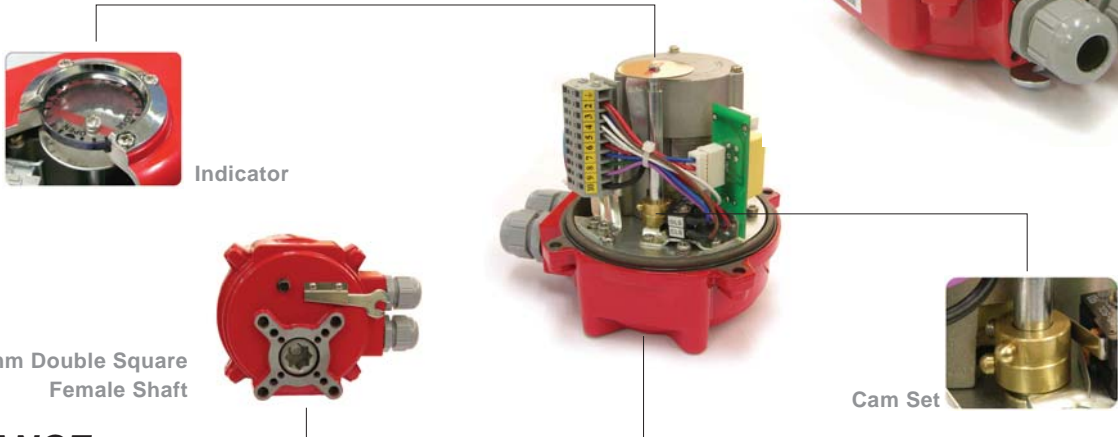
### WIRING ITQ 0020 free voltage (110/220VAC)





**ITQ 0040**

- Suitable for on-off small ball /plug valves and damper automation.
- By combination of spur gears, provide very high efficiency
- The motor is a specially designed induction motor that produces high starting torques and thermally protected from overheating.
- Manual operation by Spanner and dial position indication
- Compact and light weight.
- High duty cycle.



**PERFORMANCE**

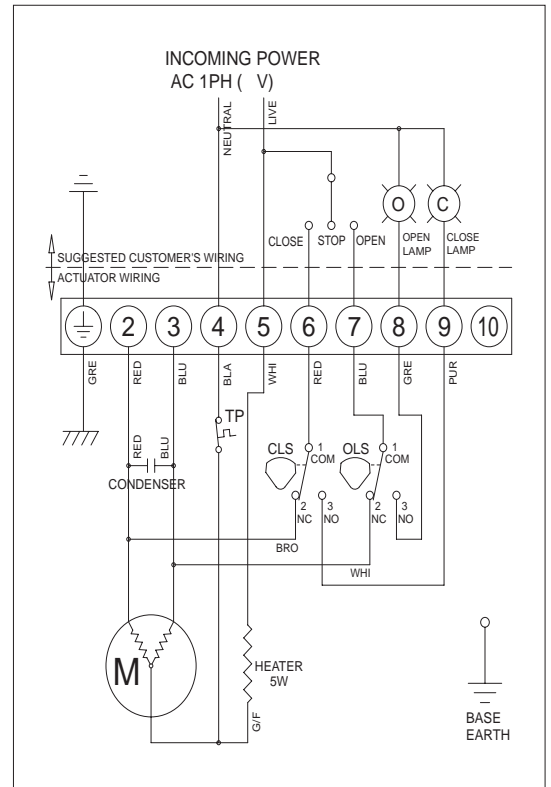
Model	Rate torque (Nm)	Duty cycle (%)	Operating time		Stem Adaption (Double square Female shaft)	Rated current			Motor insulation class	Weight (kgs)	No of handwheel turn		
			50Hz	60Hz		1Phase	3Phase	DC					
			14	12		110	220	380				440	24V
ITQ 0040	40	50	14	12	14X14mm	0.27	0.18	N/A	N/A	0.8	E	3	7.5

**STANDARD SPECIFICATION**

<b>Enclosure</b>	IP66, O-ring Sealed
<b>Main Power</b>	110/220VAC/1Ph/50/60Hz, 24V DC
<b>Control power</b>	110/220VAC/1Ph/50/60Hz
<b>Duty cycle(on-off)</b>	S2 : 50%, max 30minutes
<b>Motor</b>	Induction motor
<b>Limit switches</b>	1 ea for each travel (No extra switch)
<b>Space heater</b>	2W
<b>Manual operation</b>	Extruded shaft on bottom
<b>Indicator</b>	Continous Mechanical position indicator
<b>Mounting</b>	ISO F03 & F05 flange with double square female shaft
<b>Travel angle</b>	90° ± 10°
<b>Cable entries</b>	2 - PG 13.5
<b>Terminal block</b>	Spring loaded push type
<b>Surface protection</b>	Anodized polyester coating
<b>Ambient temperature</b>	-20°C ~ +70°C
<b>Humidity(R.H)</b>	90%

**WIRING**

ITQ 0040 110/220 ON/OFF





## ITQ 0080



- Newly designed and developed for especially small ball & plug valves and damper automation.
- Self locking combination of spur and worm gears that require no brake
- The motor is a specially designed induction motor that produces high starting torques and thermally protected from overheating
- Mechanical Stopper bolts to prevent from over travel
- Easy set cams without special tool.
- Manual operation by wrench directly to the worm gearbox and dial position indication



## PERFORMANCE

Model	Rate torque (Nm)	Duty cycle (%)	Operating time		Adaption (Double square Female shaft)	Rated current			Motor insulation class	Weight (kgs)	No of handwheel turn		
			50Hz	60Hz		1Phase	3Phase	DC					
ITQ 0080	80	50	16	14	17X17mm	0.97	0.52	0.52	0.56	0.8	E	3.5	7

## STANDARD SPECIFICATION

<b>Enclosure</b>	Weatherproof IP67, O-ring sealed
<b>Main Power</b>	110/220VAC/1Ph/50/60Hz, 380/440VAC/3Ph/50/60/Hz,24VDC
<b>Control power</b>	110/220VAC/1Ph/50/60Hz
<b>Duty cycle(on-off)</b>	S2 : 40%, Max 30 minutes
<b>Motor</b>	S4, 50%, 1200 start/Hour
<b>Duty cycle(modulating)</b>	Induction motor
<b>Limit switches</b>	2 ea for each travel end (1 each as dry contact)
<b>Space heater</b>	3W
<b>Manual operation</b>	By wrench (M6) directly to the worm gear
<b>Indicator</b>	Continuous Mechanical position indicator
<b>Mounting</b>	ISO F05 & F07 flange with double square female shaft
<b>Self locking</b>	By means of worm gearing
<b>Travel angle</b>	90° ± 10° by external adjustable mechanical stopper
<b>Cable entries</b>	2 - M20 X 1.5 (option : 2- PF1/2")
<b>Terminal block</b>	Spring loaded push type
<b>Surface protection</b>	Anodized & polyester coating
<b>Ambient temperature</b>	-20°C~+70°C
<b>Humidity(R.H)</b>	90%

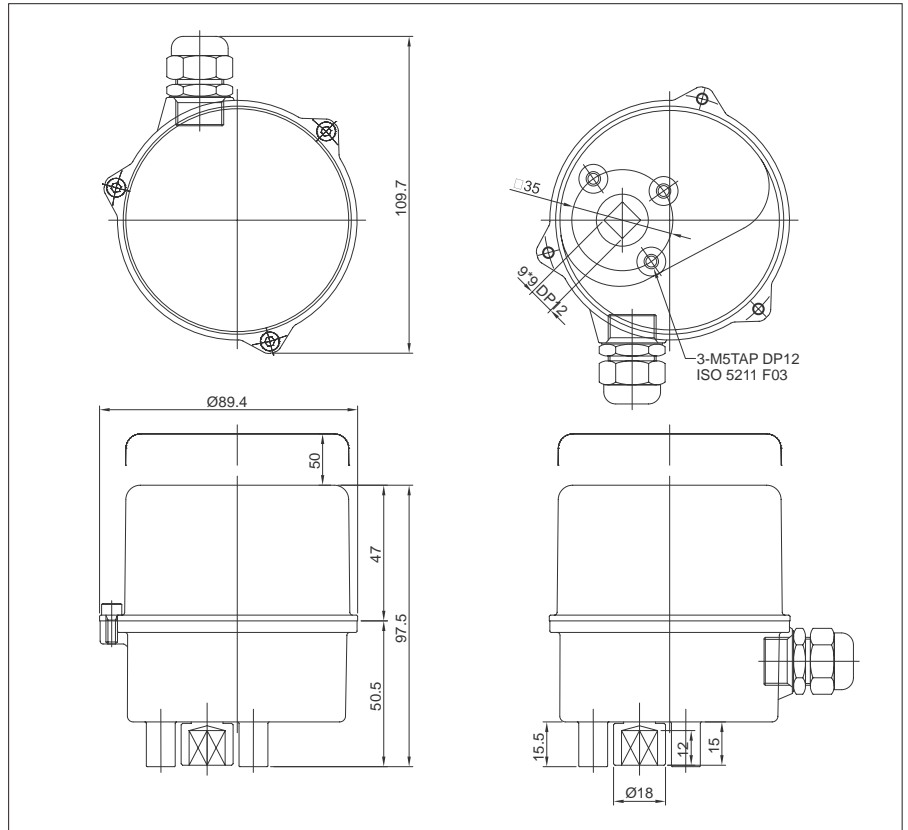
## OPTION AVAILABLE (0080 Only)

PK	-Potentiometer kit (output signal : 0~1 Kohm)
	-High resolution potentiometer
CT	-Current transmitter (output signal : 4-20mA)
	-Zero / Span Adjustment
	-Convertible DIP Switch (4 wire to 2 wire)
RPC	-Remote position controller (by input and output signal)
	-Input : 4-20mA, 0-10VDC, 2~10VDC, 1~5VDC, 0~5VDC
	-Output : 4-20mA, 0-10VDC, 2~10VDC, 1~5VDC, 0~5VDC
	-Auto-calibration
	-Reverse operating direction

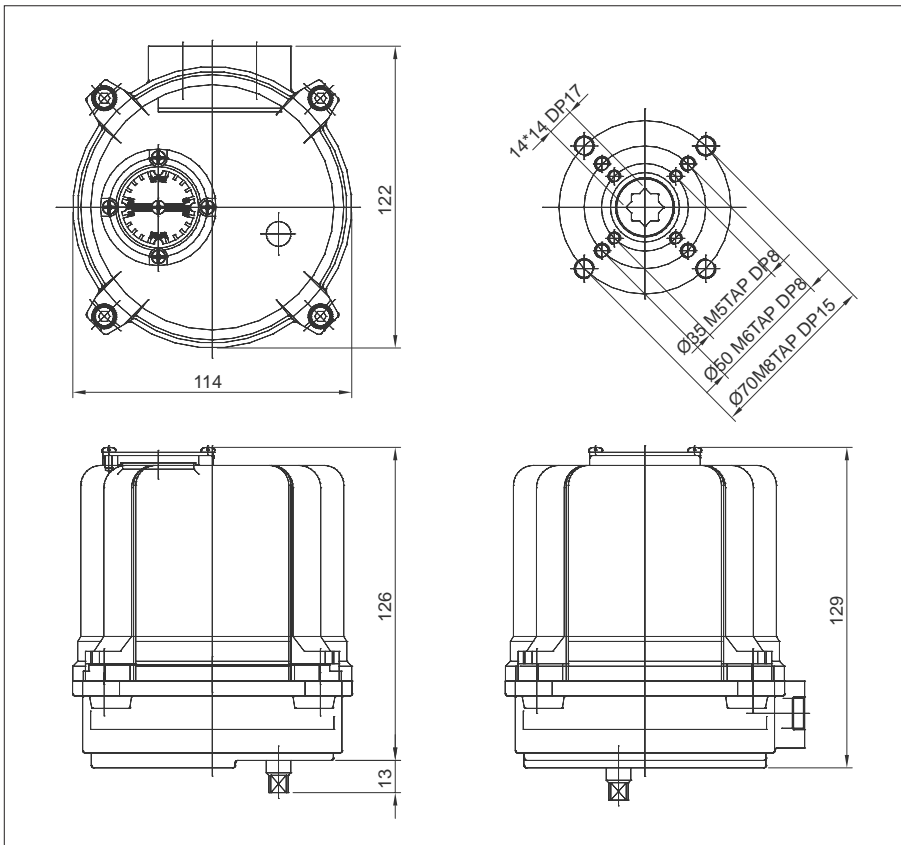


**DIMENSIONAL DRAWING**

**ITQ 0020**



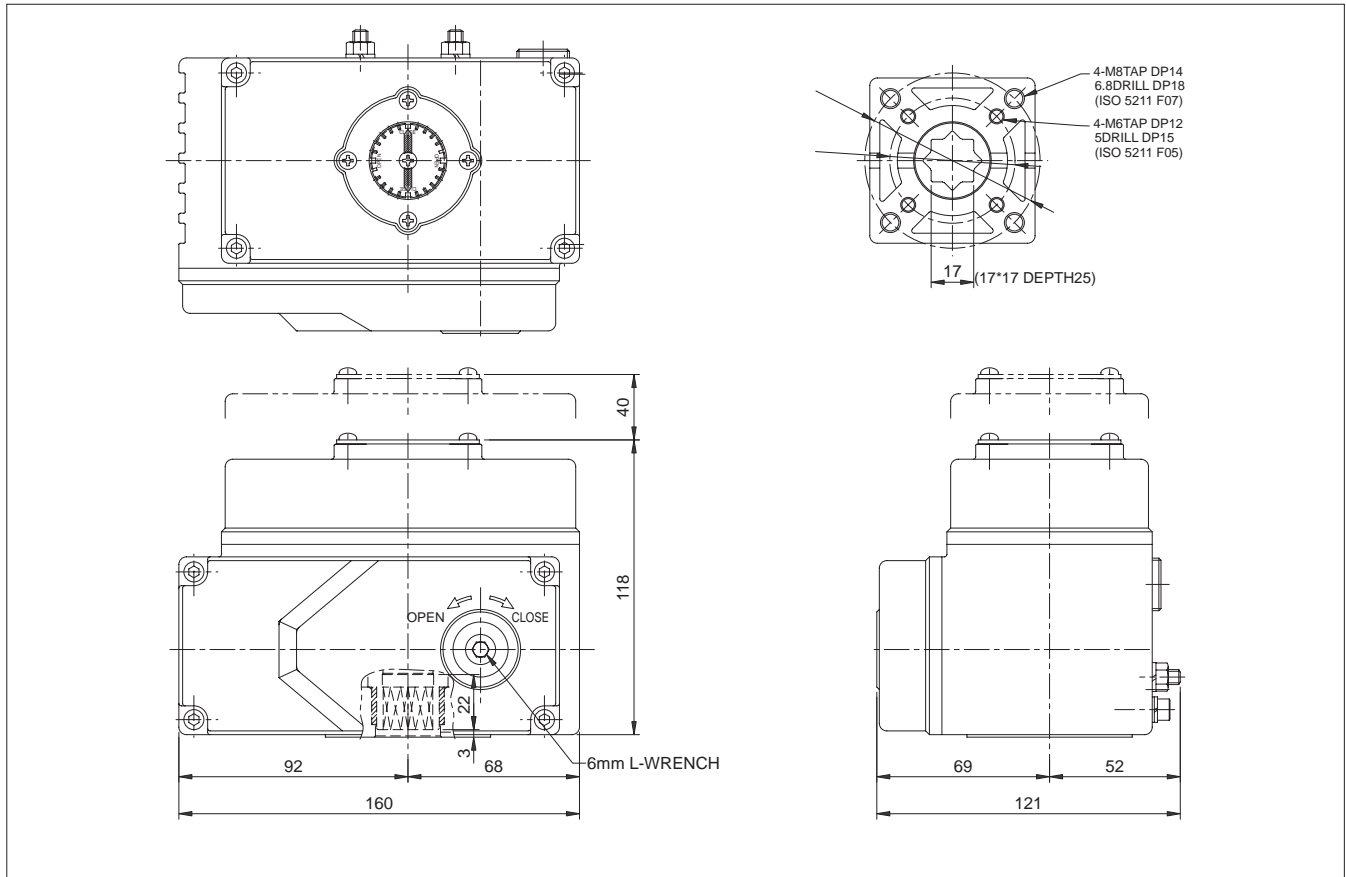
**ITQ 0040**





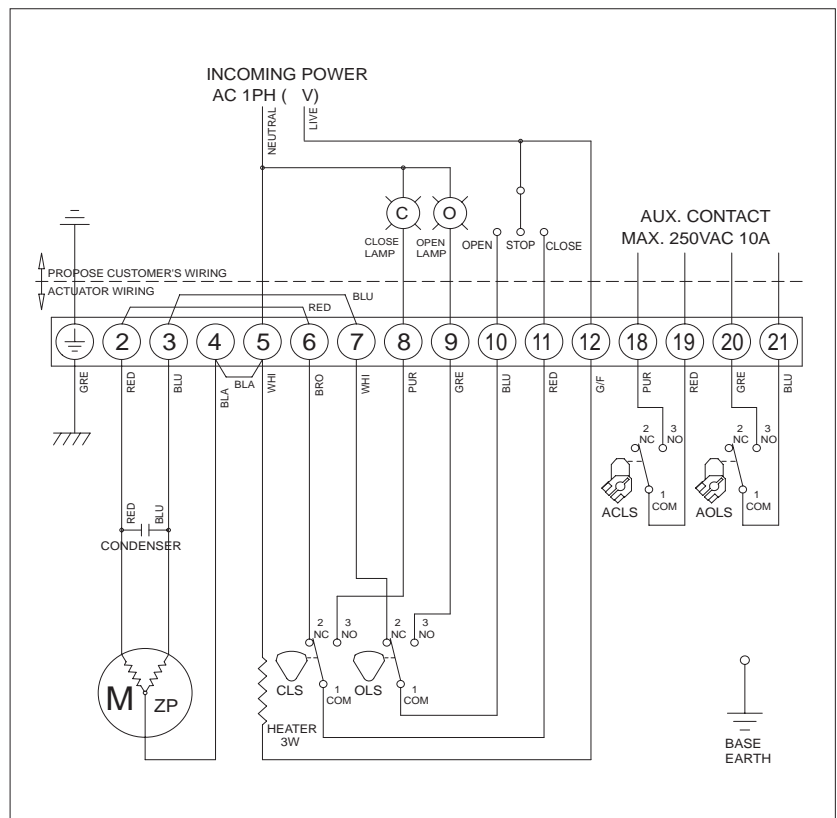
**DIMENSIONAL DRAWING**

**ITQ 0080**



**WIRING**

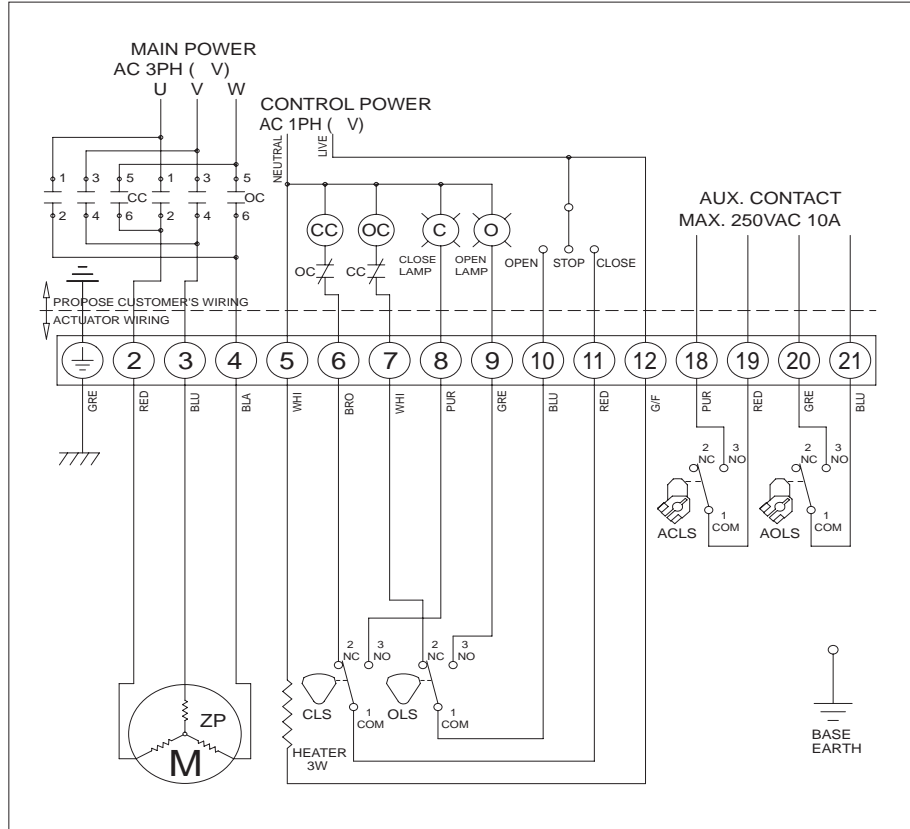
**ITQ 0080 110/220 (On-Off)**





**WIRING**

**ITQ 0080 380/440 ON/OFF**



**ITQ 0080 110/220 RPC**

