

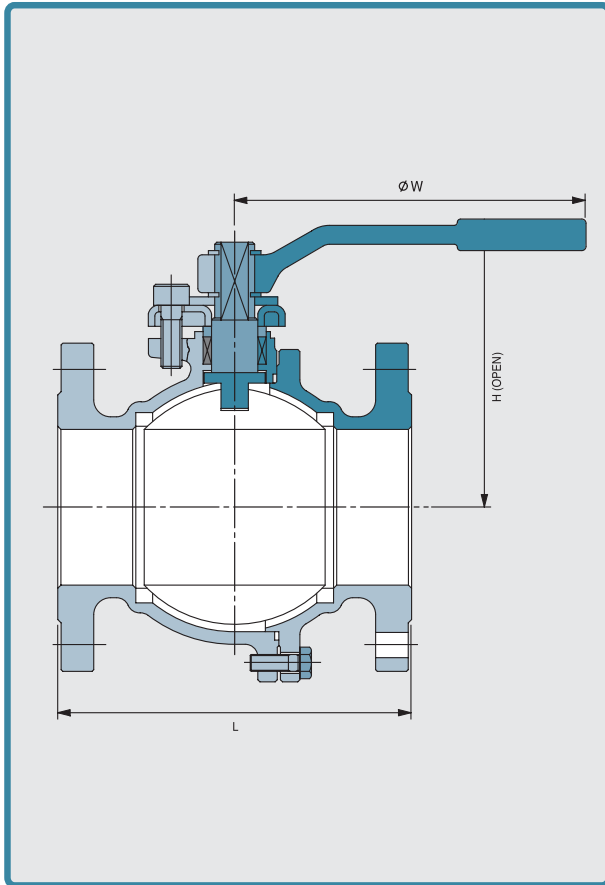
S&S Cast Steel Ball Valve

BALL VALVE

CLASS:#150-2500
FIGURE NO.:S91R



CAST STAINLESS STEEL
BALL VALVE FULL BORE.
RF FALNGE ENDS.
BB.



MAIN COMPONENT MATERIAL

BODY	A216-WCB
BODY CAP	A216-WCB
BALL	A276-304/A351-CF8
SEAT RING	CARBON
GASKET	GRAPHITE
HEX. BOLT	A193-B7
PACKING	GRAPHITE
STEM	A276-304
HAND LEVER	A351-CF8

*** BODY & BONNET STANDARD MATERIAL**

A216-WCB, A351-CF3(M), A351-CF8(M)

*** SEE TECH. DATA FOR OTHER MATERIAL AND TRIM OPTION.**

VALVE DESIGN CONFORM TO BS 5351,
ANSI B16.34, BS 5351, API6D
VALVE ENDS CONFORM TO ANSI B16.10
SHELL AND SEAT LEAKAGE TEST
ACCORDANCE WITH ANSI B16.34
RIGHT TABLE INDICATE THE ASTM A216-WCB
OTHER MATERIAL ACCORDANCE
WITH ANSI B16.34
FIRE SAFETY DESIGN
ANTI-STATIC DEVICE

HYDROSTATIC SHELL & SEAT LEAKAGE TEST			
CLASS	SHELL	SEAT	AIR
150 LBS	32 PSI kg/Cm ²	23 PSI kg/Cm ²	6 PSI kg/Cm ²
300 LBS	80 PSI kg/Cm ²	58 PSI kg/Cm ²	
600 LBS	157 PSI kg/Cm ²	115 PSI kg/Cm ²	
800 LBS	211 PSI kg/Cm ²	155 PSI kg/Cm ²	
900 LBS	236 PSI kg/Cm ²	172 PSI kg/Cm ²	
1500 LBS	393 PSI kg/Cm ²	287 PSI kg/Cm ²	
2500 LBS	653 PSI kg/Cm ²	478 PSI kg/Cm ²	

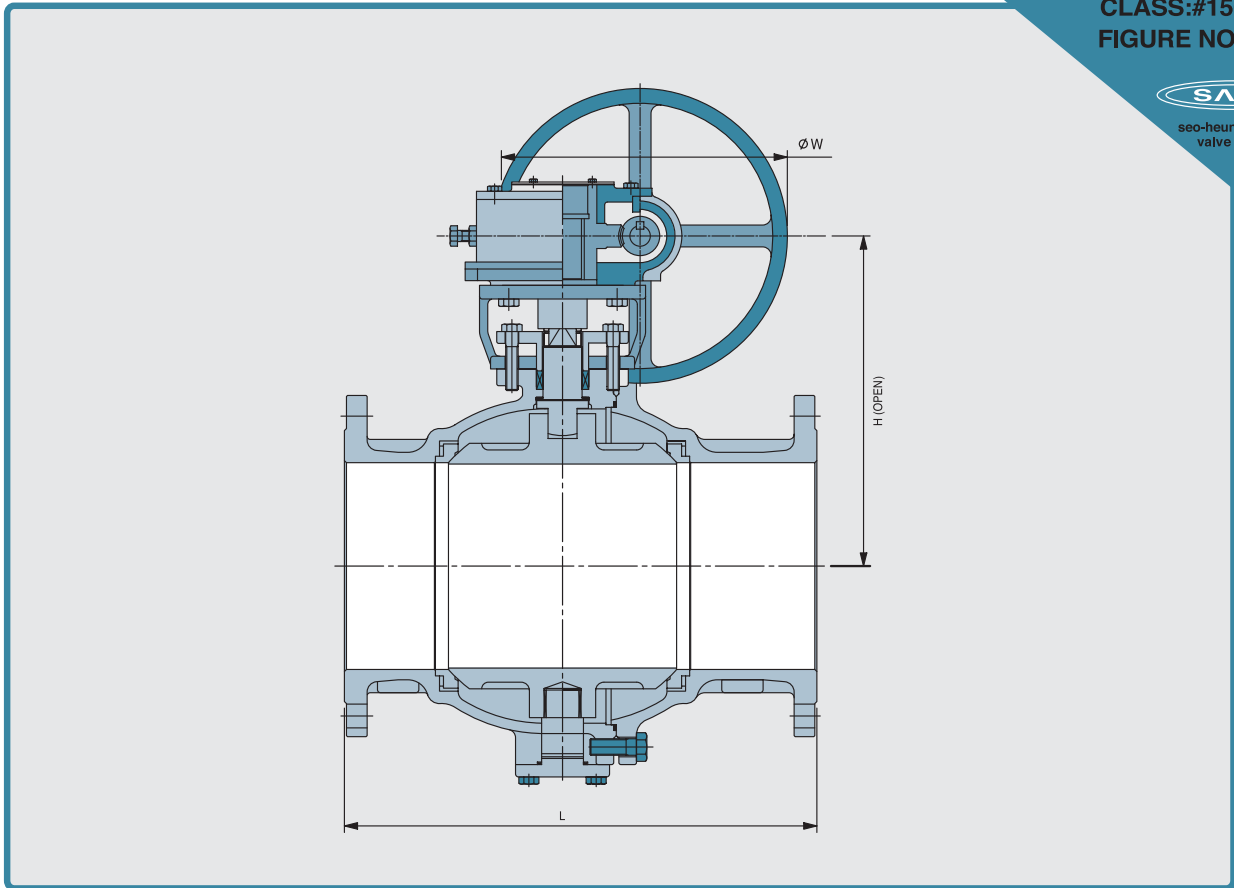
*** WE RECOMMEND 8" AND OVER, GEAR OPERATED TYPE**

SIZE	ENDS	1/2" (15A)	3/4" (20A)	1" (25A)	1-1/2" (40A)	2" (50A)	2-1/2" (65A)	3" (80A)	4" (100A)	6" (150A)	8" (200A)	10" (250A)	12" (300A)	14" (350A)	16" (400A)	18" (450A)	20" (500A)	24" (600A)
#150	L(RF)	108	117	127	165	178		203	229	394	457	533	610	686	762	864	914	1067
	L(BW)	140	152	165	190	216		283	305	457	521	559	635	762	838	914	991	1143
	H	77	80	92	113	121		166	184	270	299	351	460	533	578	654	687	822
	W	130	130	160	230	230		330	330	450	270	324	350	350	350	500	500	500
	RF WT(Kg)	2.7	4.1	5.0	10.0	18		32	54	227	340	544	771	1066	1383	1996	2404	3946
	BW WT(Kg)	1.2	2.5	5.6	6.7	14		25	43	181	295	476	703	975	1247	1792	2177	3606
#300	L(RF)	140	152	165	190	216		283	305	403	502	568	648	762	838	914	991	1143
	L(BW)	140	152	165	190	216		283	305	457	521	559	635	762	838	914	991	1143
	H	77	80	92	113	121		166	184	270	299	351	480	533	578	654	687	822
	W	130	130	160	230	230		330	330	450	270	324	350	350	350	500	500	500
	RF WT(Kg)	3.2	4.5	5.9	11.8	27		45	73	250	386	567	862	1179	1565	2268	2495	4196
	BW WT(Kg)	1.2	2.5	5.6	6.7	20		36	61	213	336	490	776	1043	1406	2041	2268	3833
#600	L(RF,BW)	165	191	216	241	292		356	432	559	660	787	838	889	991	1092	1194	1397
	H	90	92	106	128	165		221	243	310	376	422	475	533	578	654	687	822
	W	130	130	160	230	230		330	330	450	270	324	350	350	350	500	500	500
	RF WT(Kg)	3.6	5.0	6.8	13.6	32		54	100	272	544	771	998	1338	2064	2672	3016	5239
	BW WT(Kg)	1.2	2.5	5.6	6.7	25		43	82	227	445	626	807	1089	1701	2186	2472	4649

S&S Cast Steel Ball Valve

BALL VALVE

CLASS:#150-2500
FIGURE NO.:S91R



* WE RECOMMEND 8" AND OVER, GEAR OPERATED TYPE

* GEAR BOX INCLUDE LOCKING DEVICE

SIZE	ENDS	1/2" (15A)	3/4" (20A)	1" (25A)	1-1/2" (40A)	2" (50A)	2-1/2" (65A)	3" (80A)	4" (100A)	6" (150A)	8" (200A)	10" (250A)	12" (300A)	14" (350A)	16" (400A)	18" (450A)	20" (500A)	24" (600A)
#900	L(RF,BW)	216	229	254	305	368		381	457	610	737	838	965	1029	1130			
	H	90	92	106	128	185		241	263	329	396	442	495	553	649			
	W	130	130	160	230	230		350	350	350	500	500	630	630	630			
	RF WT(Kg)	5.9	9.1	11.8	18.1	54		82	145	318	703	839	1315	1746	2155			
	BW WT(Kg)	2.2	3.5	6.6	7.7	41		66	102	254	562	671	1066	1406	1723			
#1500	L(RF,BW)	216	229	254	305	368		470	546	705	832	991	1130	1257	1384			
	H	90	92	106	128	200		256	278	345	411	457	510					
	W	130	130	160	230	230		350	350	350	500	500	630					
	RF WT(Kg)	5.9	9.1	11.8	18.1	54		109	249	544	771	1429	1973					
	BW WT(Kg)	2.2	3.5	6.6	7.7	43		91	200	431	612	1134	1587					
#2500	L(RF,BW)																	
	H																	
	W																	
	BW WT(Kg)																	
	RF WT(Kg)																	